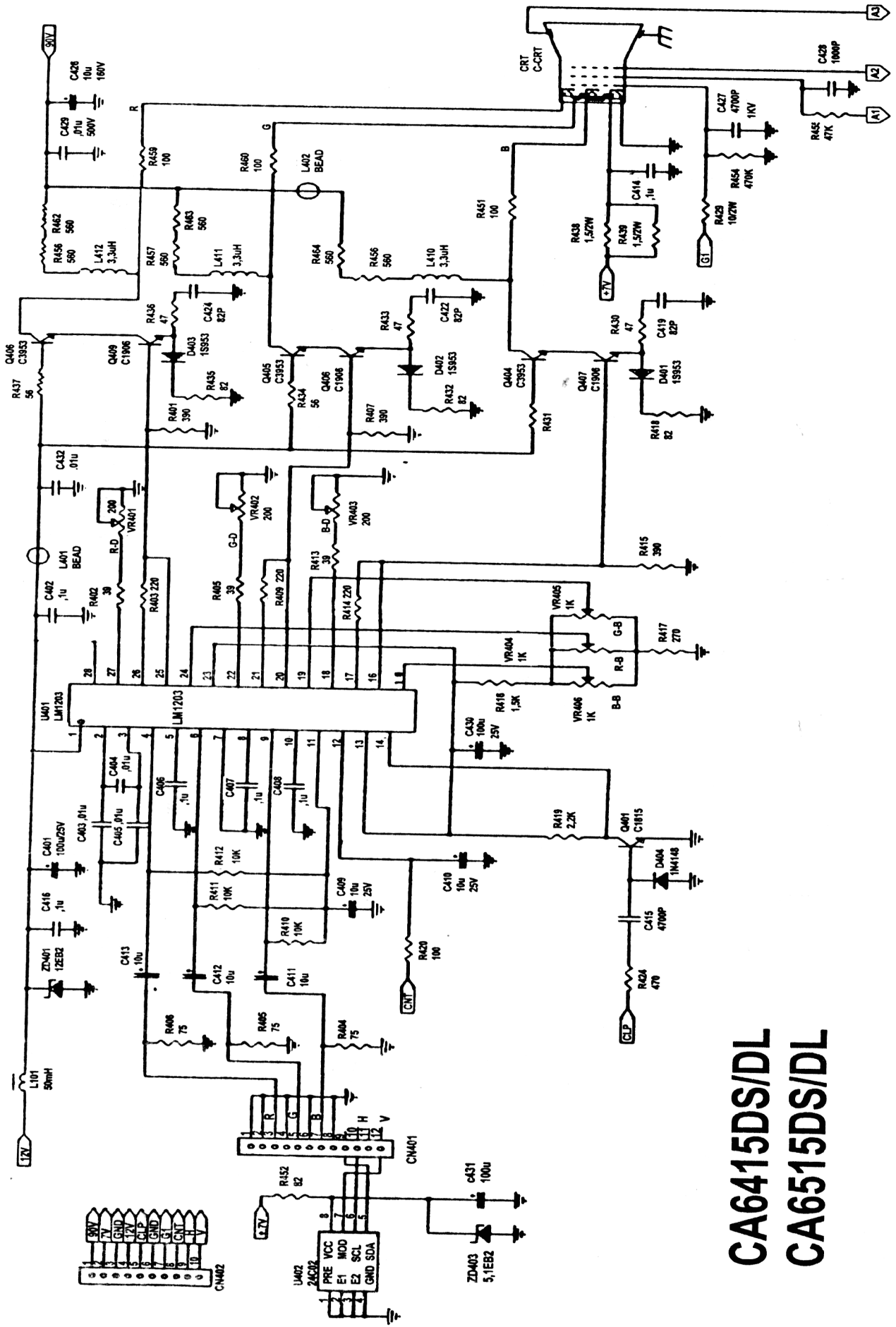


# CA6415DS/DL

# CA6515DS/DL



**CA6415DS/DL**  
**CA6515DS/DL**

# CA6415DSDL; CA6515DS/DL

